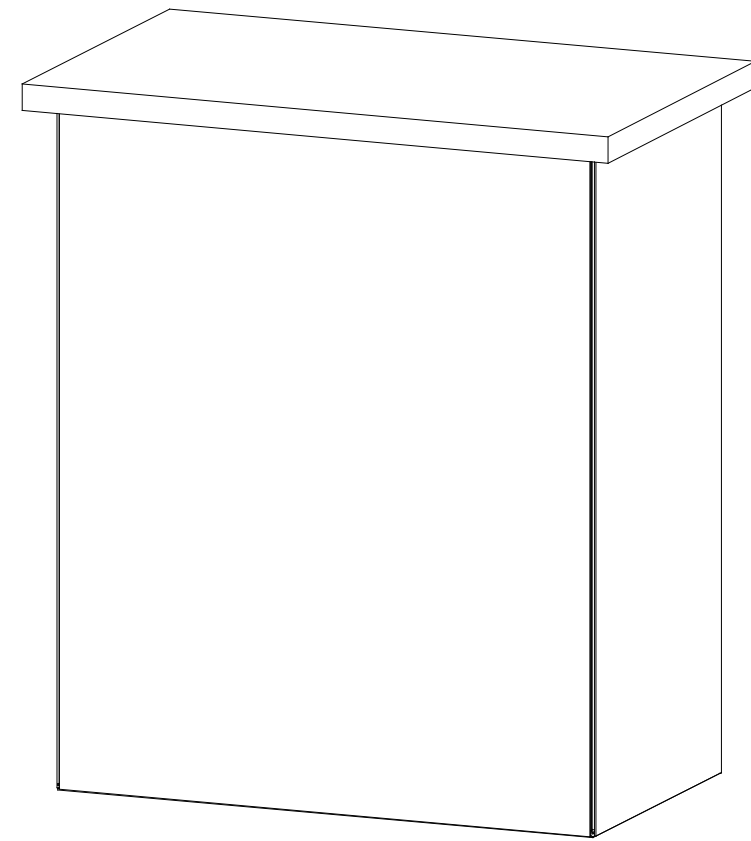


BACK VIEW



FRONT VIEW

General Setup Instructions

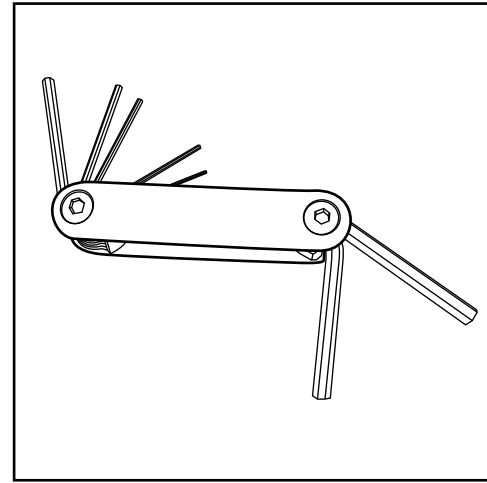
- Read entire setup instruction manual prior to unpacking parts and pieces.
- The setup instructions are created specifically for this configuration.
- Setup instructions are laid out sequentially in steps, including exploded views with detailed explanation for assembly.

Cleaning & Packing

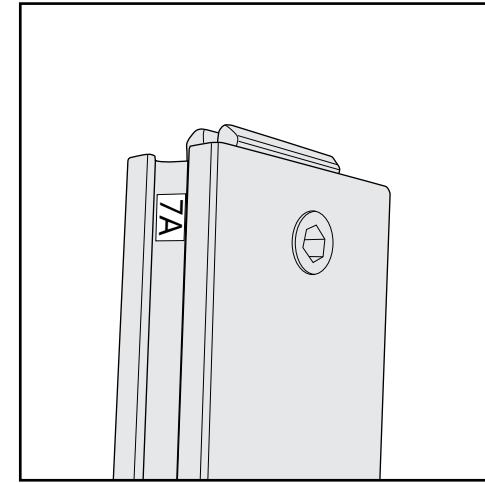
- For Cleaning Metal, Plex, & Laminate Parts: Use a **MILD NON-ABRASIVE** cleanser and soft cloth/paper towel to clean all surfaces.
- Keep exhibit components away from heat and prolonged sun exposure. **Heat and UV exposure will warp and fade components.**
- Retain all provided Packing Materials. All provided packing materials are for ease of repacking & component protection.

Disassembly

- For loss prevention, tighten all set screws and locks during disassembly.



Hex Tool - Essential for Assembly



Part Identification - Numbering



Spline Connection



Base Plate & Extrusion Connection



Extrusion & Lock Connection



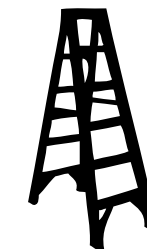
Engaged Lock



WARNING



DO NOT USE POWER TOOLS



LADDERS OR LIFTS
MAY BE REQUIRED



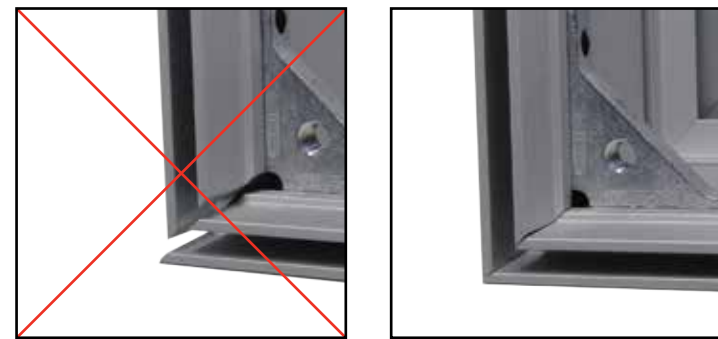
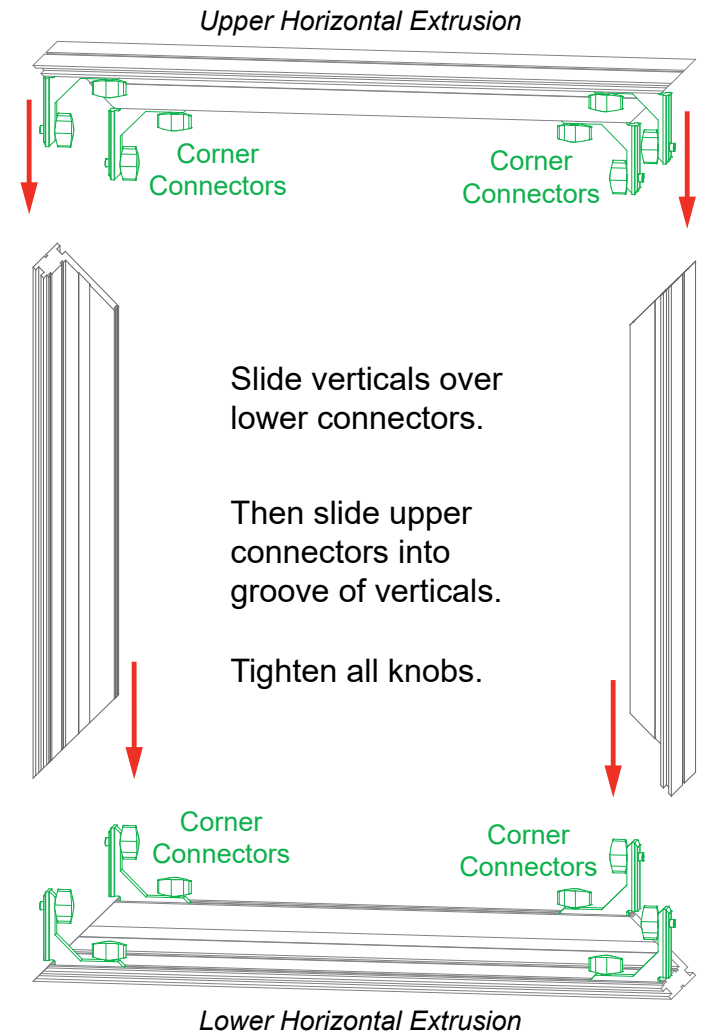
ALL CONNECTIONS MUST
BE TIGHTLY SECURED

CEI110 Corner Connection:

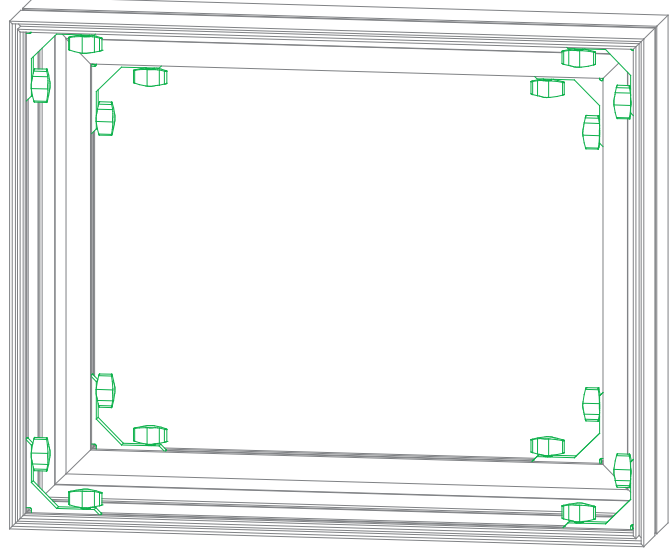
- 1) Loosen knobs, then slide vertical extrusions onto **corner connectors** of **lower** horizontal extrusion.
- 2) Slide **corner connectors** of **upper** horizontal extrusion into grooves of vertical extrusions.
- 3) Tighten all knobs to secure connection.

Disassembly:

- 1) Loosen knobs on vertical extrusions.
- 2) Slide the vertical extrusions off of **corner connectors** on lower and upper horizontal extrusions.

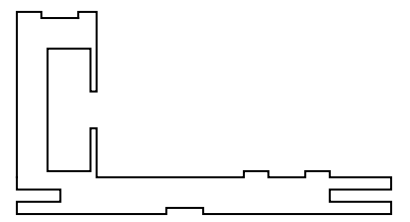


Adjust connectors if necessary to prevent gaps in connection.



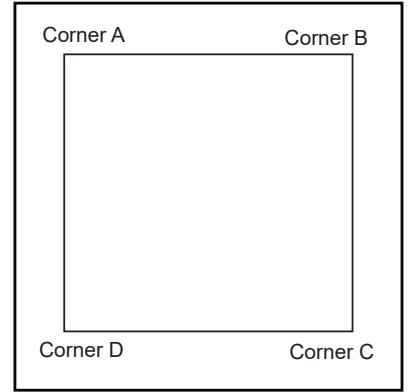
COMPLETED ASSEMBLY

All knobs must be tightened securely to ensure a proper connection.

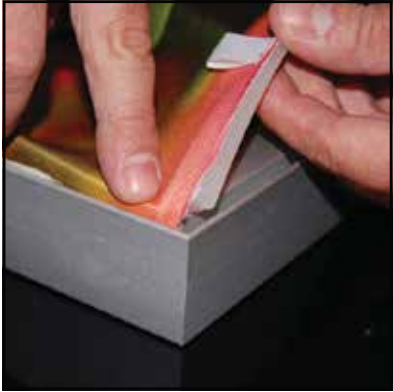


CEI110 Extrusion Profile

SEG Graphic Installation



It is important to first insert graphic into each alternate corner then to the sides of the frame. If this is not done, graphic will not fit into the frame correctly.



Step 1
Insert corner A. Turn edge of graphic so silicon welt is perpendicular to face of graphic. Insert narrow side of welt with fabric to outside into the channel. Repeat for other side of this corner.



Step 2
Repeat Step 1 for opposite corner C, then insert corner B, followed by corner D, to complete the installation of the corners.



Step 3
Once all corners are inserted, press one silicon edge into channel from corners and work toward the center. Make sure welt is fully inserted into channel. Continue until all sides are done. Smooth out edges of graphic.

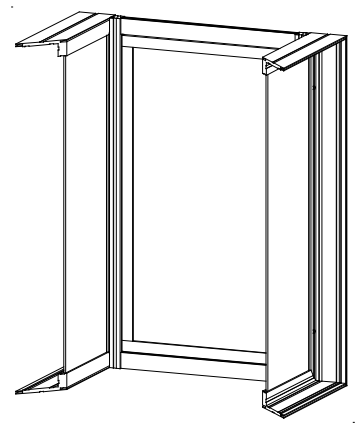
Graphic Removal



To remove the graphic from the frame, locate the fabric pull tab. Gently pull up on the tab to remove the fabric.

| Item | Qty. | Description |
|------|------|-----------------------------------|
| 1 | 1 | 39.5”h CEI110 Vertical Extrusion |
| 2 | 1 | 39.5”h S40 Vertical Extrusion |
| 3 | 1 | 39.5”h S40 Vertical Extrusion |
| 4 | 1 | 39.5”h CEI110 Vertical Extrusion |
| 5 | 1 | 20.906”w Z45 Horizontal Extrusion |
| 6 | 1 | 20.906”w Z45 Horizontal Extrusion |
| 7 | 1 | 18”w CEI110 Horizontal Extrusion |
| 8 | 1 | 18”w CEI110 Horizontal Extrusion |
| 9 | 1 | 18”w CEI110 Horizontal Extrusion |
| 10 | 1 | 18”w CEI110 Horizontal Extrusion |
| -- | 2 | Side Light Panel |

- Steps:
- 1) Attach vertical [1] to vertical [2]. See **CEI110 to S40 Connection** detail.
Repeat step, attaching vertical [4] to vertical [3].
 - 2) Connect horizontals [5,6] between verticals [2,3].
 - 3) Attach Door to back of assembly, between verticals [2,3].
See **Door Attachment** detail.
 - 4) Connect horizontals [7,8] to vertical [1], inserting **Light Panel**.
Repeat step, connecting horizontals [9,10] to vertical [4], inserting **Light Panel**.



When assembled

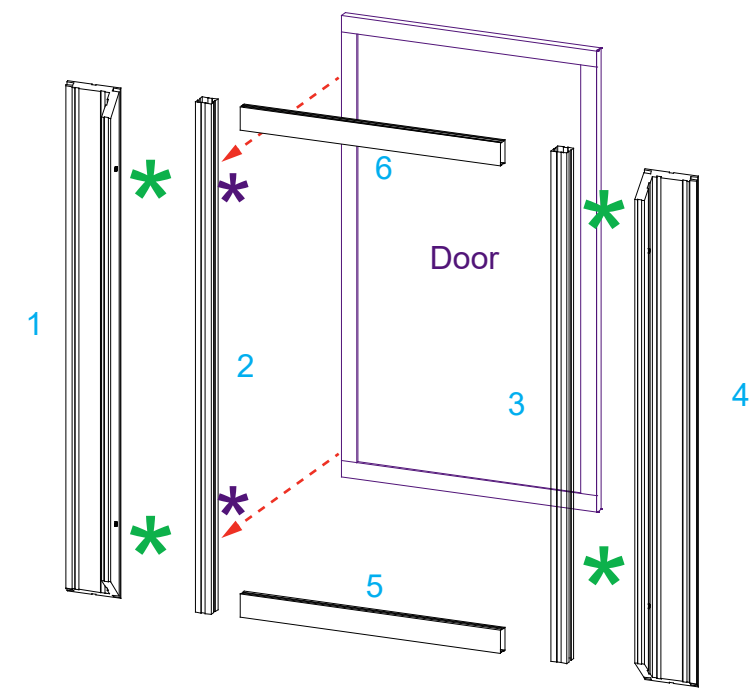
*** CEI110 to S40 Connection**

Slide V4 connector into groove of S40 extrusion as shown; secure with set screw.

Attach CEI-110 extrusion to S40 by securing bolt to hole of V4 connector.

*** Door Attachment**

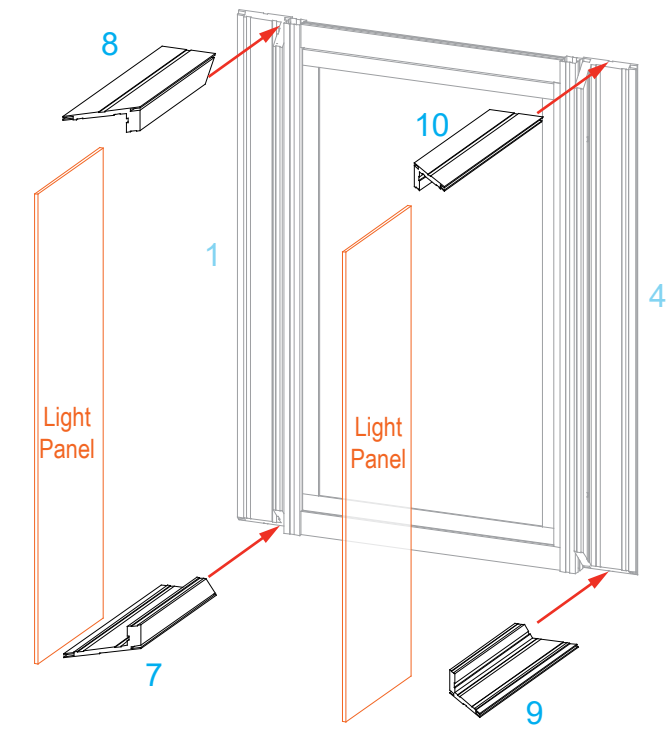
Slide pin into hinge attached to vertical. Slide door hinge over pin.



FRONT VIEW



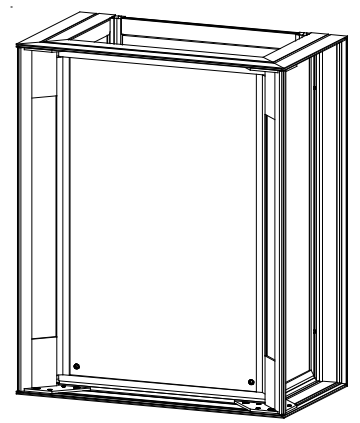
TOP VIEW



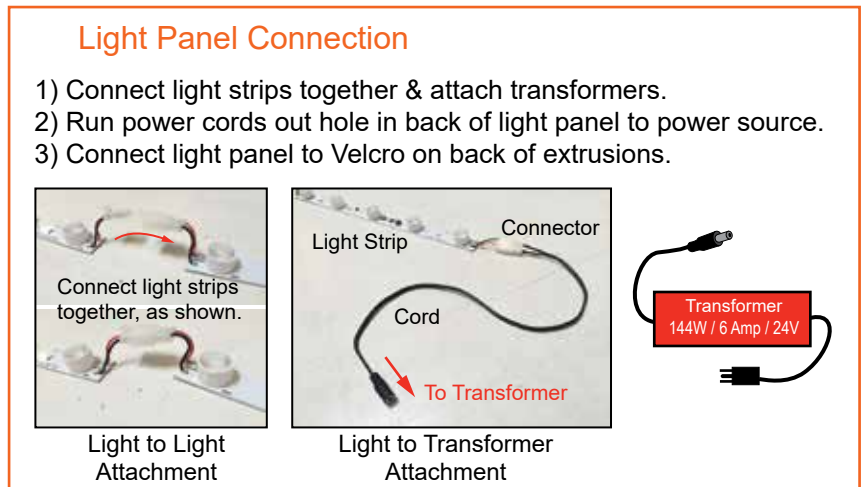
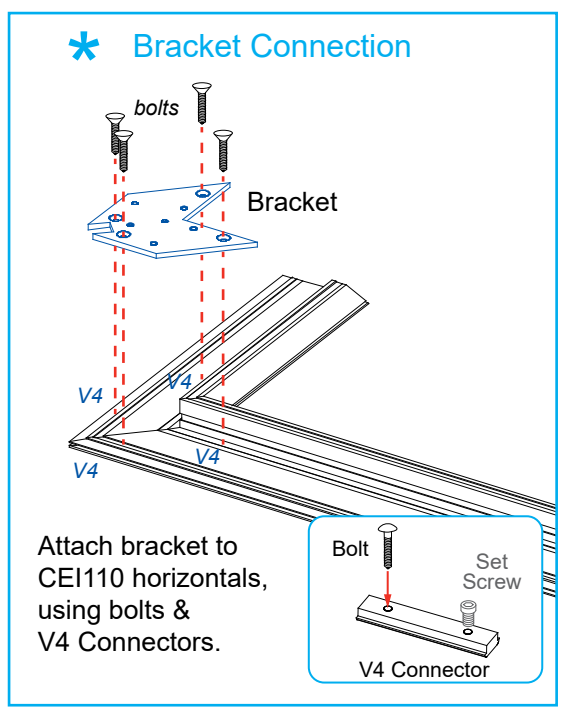
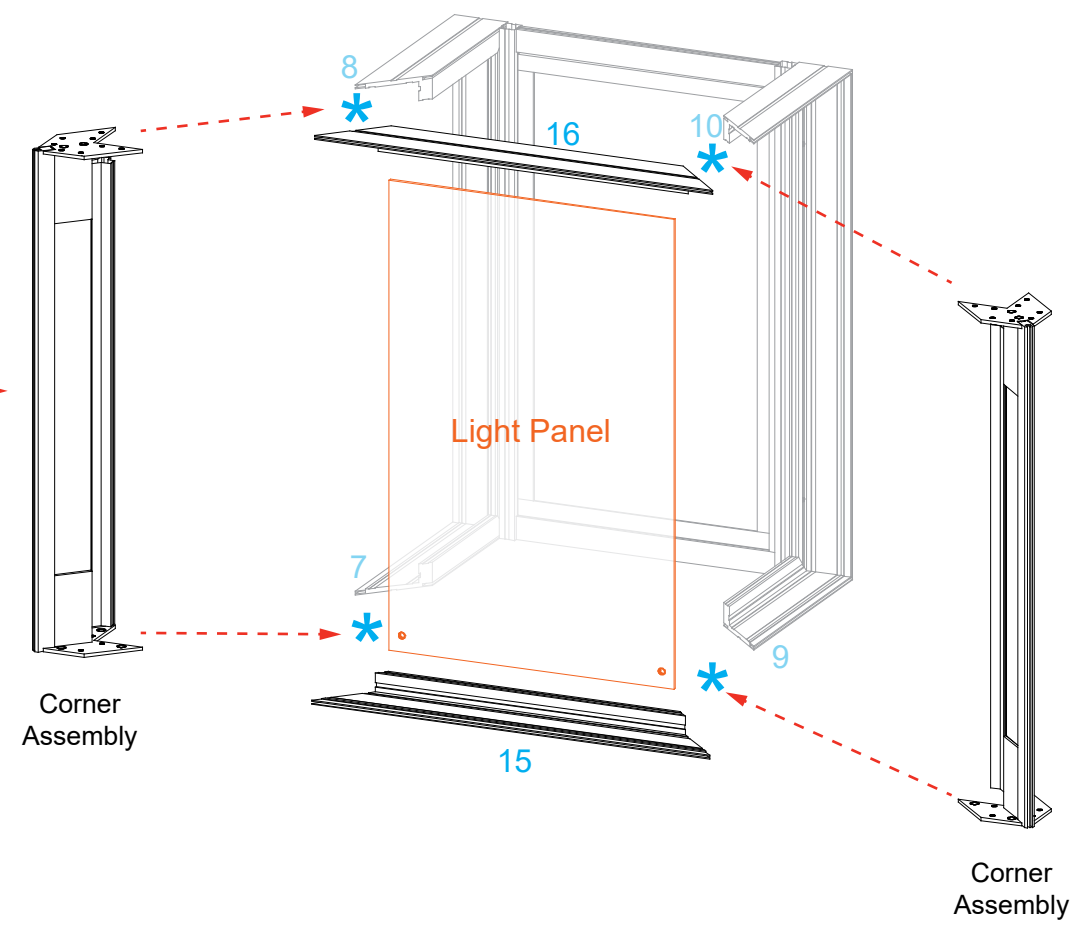
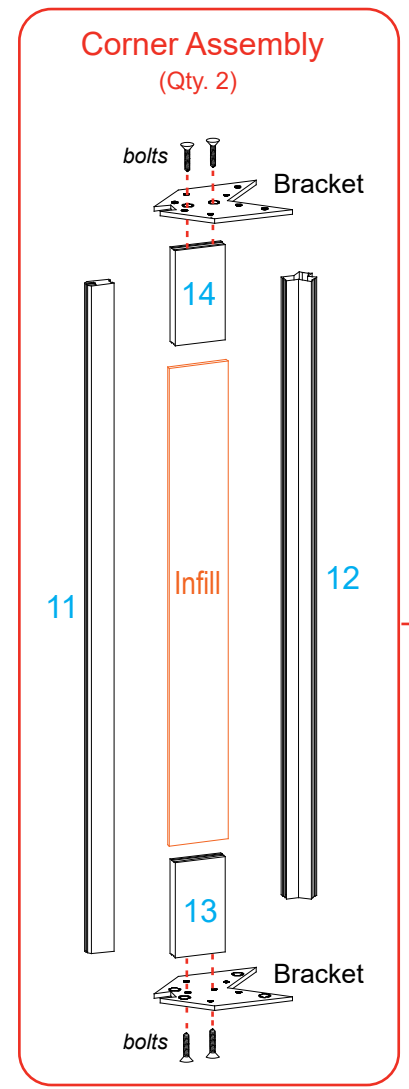
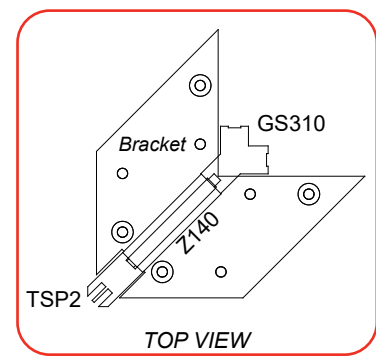
FRONT VIEW

| Item | Qty. | Description |
|------|------|------------------------------------|
| 11 | 2 | 38.752" h TSP2 Vertical Extrusion |
| 12 | 2 | 35.853" h GS310 Vertical Extrusion |
| 13 | 2 | 2.955" w Z140 Horizontal Extrusion |
| 14 | 2 | 2.955" w Z140 Horizontal Extrusion |
| 15 | 1 | 32" w CEI110 Horizontal Extrusion |
| 16 | 1 | 32" w CEI110 Horizontal Extrusion |
| -- | 2 | Bracket |
| -- | 1 | Front Light Panel |

- Steps:
- 1) Assemble horizontals [13,14] between verticals [11,12] inserting infill; Attach Brackets to top & bottom of horizontals [13,14] using bolts. Refer to **Corner Assembly** detail.
 - 2) Attach corner assembly to horizontals [7,15] & [8,16], inserting **Light Panel**.
 - 3) Attach corner assembly to horizontals [9,15] & [10,16].
 - 4) Connect transformer to side & front light panels.

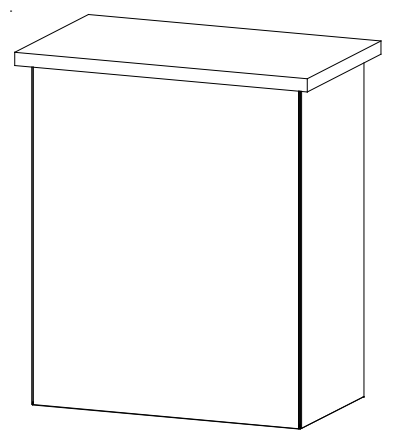


When assembled

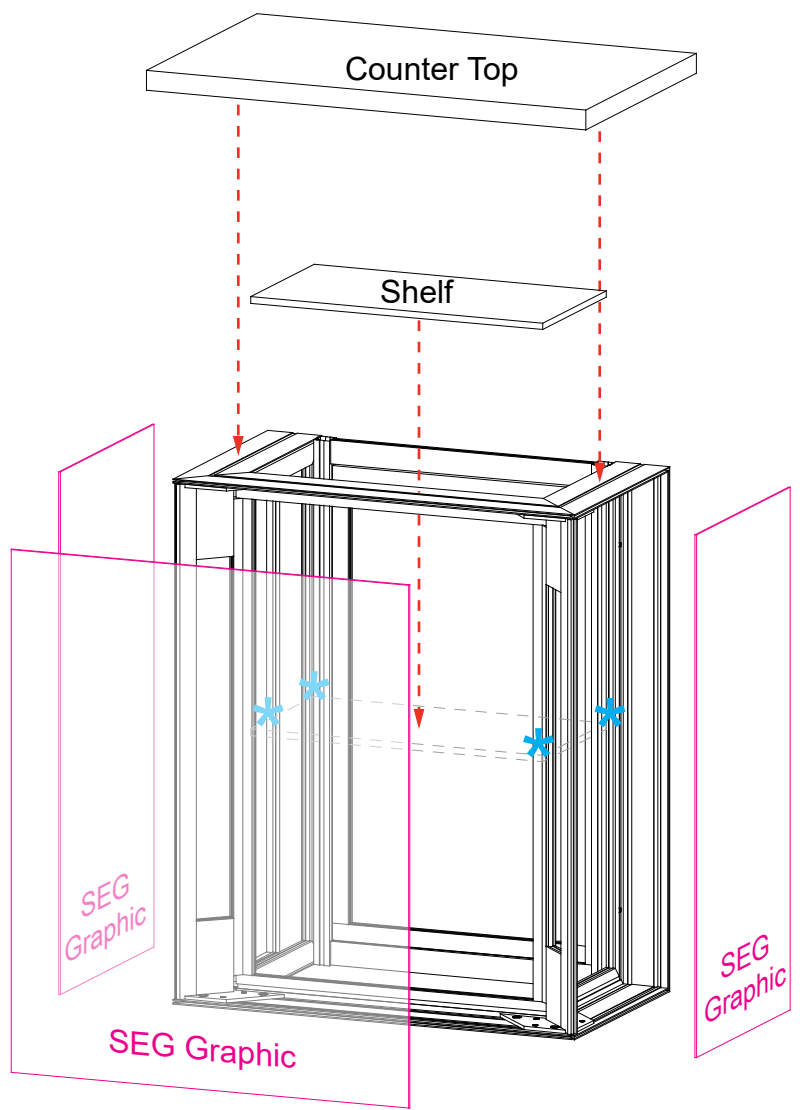


Steps:

- 1) Apply SEG graphics to assembled base. Refer to the *SEG Installation general information page*.
- 2) Place Shelf onto pins. See [Shelf Pin](#) detail.
- 3) Attach Counter Top to assembled base. See [Counter Top Attachment](#) detail.



Completed Assembly



FRONT VIEW

